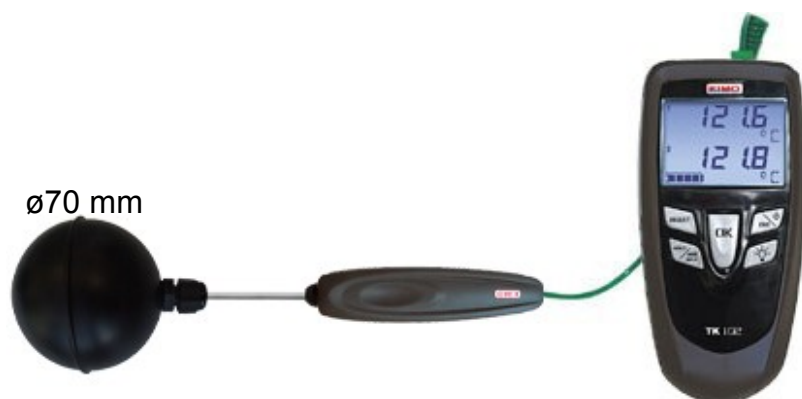


BLACK BALL THERMOMETER



PRESENTATION

Developed and manufactured by KIMO, the Black Ball Thermometer is for measuring radiant temperature.

Based on the black body principle, it consists of one sphere, which is equipped with a liquid expansion thermometer, Pt 100 or thermocouple temperature probe .

It's an accurate, reliable and user-friendly instrument.

It's also adaptable on every types of thermometers.

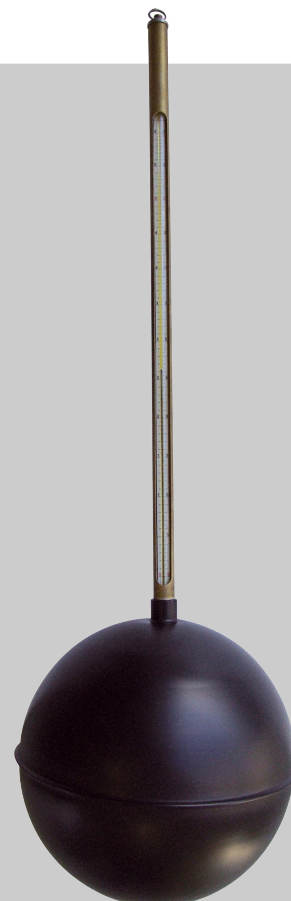
APPLICATION

The human body is comfortable only in an environment where the temperature and the air movements are kept within established limits.

For the comfort and good health of human or animals, the black ball thermometer gives a direct measurement of the average radiant temperature.

This temperature, perceived by the body, is radiated by all surrounding surfaces, walls, floor, furniture and equipment.

The black ball thermometer is particularly useful in working area's veterinary laboratories and animal breeding.



TECHNICAL FEARURES OF THE BLACK BALL

Sphere	Hollow in brass, $\varnothing 70$ mm or $\varnothing 150$ mm Thickness 6/10 mm
Coating	Multi-coat paint, High temperature 600 °C, Mat black with 0.95 average emission coefficient
Standards	Complies with the recommandations of the NF ISO 7726 Std relative to then "thermal environment", X35-201 and X35-202 Std relative to the "thermal constraints of the working man"

TECHNICAL FEARURES OF THERMOMETERS

• Liquid expansion thermometer

Protection sheath	In brass, length 350 mm, $\varnothing 12$ mm, equipped with a suspension ring
Measuring range	From 0 to 60 °C
Accuracy	0.5°C
Scale length	260 mm
Total length	550 mm
Weigth	400 g

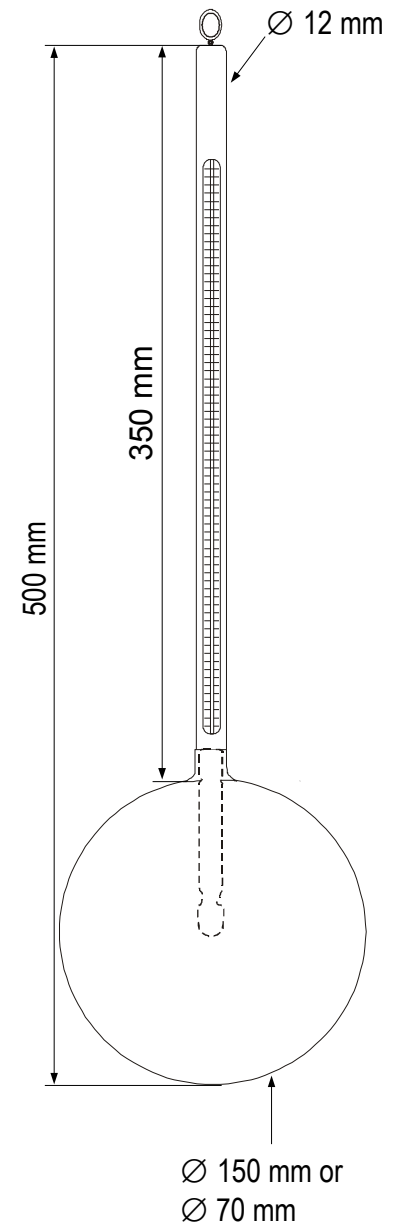
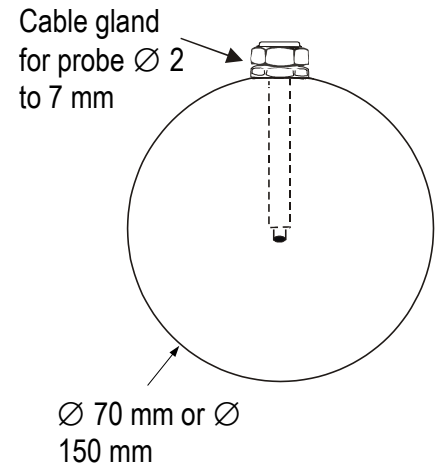
• Pt100 probe

Class and range	On demand
Number of wire	3 oru 4 wires

• Thermocouple probe

Type	K, J, N on demand
Measuring range	From -50 to +200°C

DIMENSIONS



www.kimo.fr

Distributed by :



EXPORT DEPARTMENT
Tel : + 33. 1. 60. 06. 69. 25 - Fax : + 33. 1. 60. 06. 69. 29
e-mail : export@kimo.fr